

HOKKAIDO

SERVICE MANUAL



HKEI-HCNI 263 G

HKEI-HCNI 353 G

HKEI-HCNI 503 G

Content

1.	Precaution.....	2
1.1	Safety Precaution.....	2
1.2	Warning.....	2
2.	Function.....	3
3.	Dimension.....	5
3.1	Indoor unit.....	5
3.2	Outdoor unit.....	5
4.	Refrigerant cycle diagram.....	7
5.	Operation limits.....	8
5.1	Cooling operation.....	8
5.2	Heating operation.....	8
6.	Wiring diagram.....	9
7.	Installation details.....	11
7.1	Wrench torque sheet for installation.....	11
7.2	Connecting the cables.....	11
7.3	Pipe length and the elevation.....	11
7.4	Air purging of the piping and indoor unit.....	12
7.5	Pumping down (Re-installation).....	13
7.6	Re-air purging (Re-installation).....	14
7.7	Balance refrigerant of the 2-way, 3-way valves.....	15
7.8	Evacuation.....	15
7.9	Gas charging.....	16
8.	Electronic function.....	17
8.1	Proper symbols and their meaning.....	17
8.2	Function.....	17
8.3	Protection.....	17
8.4	Fan-only mode.....	18
8.5	Cooling mode.....	18
8.6	Dehumidifying mode.....	19
8.7	Heating mode.....	19
8.8	Defrosting mode(available for heating mode).....	20
8.9	Auto mode.....	21
8.10	Force cooling function.....	22
8.11	Sleep mode.....	22
8.12	Auto restart function.....	23
8.13	Turbo mode.....	23
9.	Model and Parameters.....	24

10.	Troubleshooting	25
10.1	Display board	25
10.2	Troubleshooting	25
10.3	Diagnostic chart.	26
10.4	Resetting phenomenon often occurs during operation	27
10.5	Operation lamp flashes and Timer lamp off.....	27
10.6	Operation lamp flashes and Timer lamp on.....	27
10.7	Operation lamp off and Timer lamp flashes	28
10.8	Operation lamp on and Timer lamp flashes	28
10.9	Operation lamp flashes, Timer lamp flashes.....	28
11.	Characteristic of temperature sensor	29

1. Precaution

1.1 Safety Precaution

- To prevent injury to the user or other people and property damage, the following instructions must be followed.
- Incorrect operation due to ignoring instruction will cause harm or damage.
- Before service unit, be sure to read this service manual at first.

1.2 Warning

➤ Installation

- Do not use a defective or underrated circuit breaker. Use this appliance on a dedicated circuit.
There is risk of fire or electric shock.
- For electrical work, contact the dealer, seller, a qualified electrician, or an Authorized service center.
Do not disassemble or repair the product, there is risk of fire or electric shock.
- Always ground the product.
There is risk of fire or electric shock.
- Install the panel and the cover of control box securely.
There is risk of fire of electric shock.
- Always install a dedicated circuit and breaker.
Improper wiring or installation may cause fore or electric shock.
- Use the correctly rated breaker of fuse.
There is risk of fire or electric shock.
- Do not modify or extend the power cable.
There is risk of fire or electric shock.
- Do not install, remove, or reinstall the unit by yourself (customer).
There is risk of fire, electric shock, explosion, or injury.
- Be caution when unpacking and installing the product.
Sharp edges could cause injury, be especially careful of the case edges and the fins on the condenser and evaporator.
- For installation, always contact the dealer or an Authorized service center.
There is risk of fire, electric shock, explosion, or injury.
- Do not install the product on a defective installation stand.
It may cause injury, accident, or damage to the product.
- Be sure the installation area does not deteriorate with age.
If the base collapses, the air conditioner could fall with it, causing property damage, product failure, and personal injury.
- Do not let the air conditioner run for a long time when the humidity is very high and a door or a windows is left open.
Moisture may condense and wet or damage furniture.
- Take care to ensure that power cable could not be pulled out or damaged during operation.
There is risk of fire or electric shock.
- Do not place anything on the power cable.
There is risk of fire or electric shock.
- Do not plug or unplug the power supply plug during operation.
There is risk of fire or electric shock.
- Do not touch (operation) the product with wet hands.
There is risk of fire or electric shock.
- Do not place a heater or other appliance near the power cable.
There is risk of fire and electric shock.
- Do not allow water to run into electric parts.
It may cause fire, failure of the product, or electric shock.
- Do not store or use flammable gas or combustible near the product.
There is risk of fire or failure of product.
- Do not use the product in a tightly closed space for a long time.
Oxygen deficiency could occur.
- When flammable gas leaks, turn off the gas and open a window for ventilation before turn the product on.
Do not use the telephone or turn switches on or off.
There is risk of explosion or fire.
- If strange sounds, or small or smoke comes from product. Turn the breaker off or disconnect the power supply cable.
There is risk of electric shock or fire.
- Stop operation and close the window in storm or hurricane. If possible, remove the product from the window before the hurricane arrives.
There is risk of property damage, failure of product, or electric shock.
- Do not open the inlet grill of the product during operation. (Do not touch the electrostatic filter, if

the unit is so equipped.)

There is risk of physical injury, electric shock, or product failure.

- When the product is soaked (flooded or submerged), contact an Authorized service center.
There is risk of fire or electric shock.
- Be caution that water could not enter the product.
There is risk of fire, electric shock, or product damage.
- Ventilate the product from time to time when operating it together with a stove, etc.
There is risk of fire or electric shock.
- Turn the main power off when cleaning or maintaining the product.
There is risk of electric shock.
- When the product is not be used for a long time, disconnect the power supply plug or turn off the breaker.
There is risk of product damage or failure, or unintended operation.
- Take care to ensure that nobody could step on or fall onto the outdoor unit.
This could result in personal injury and product damage.

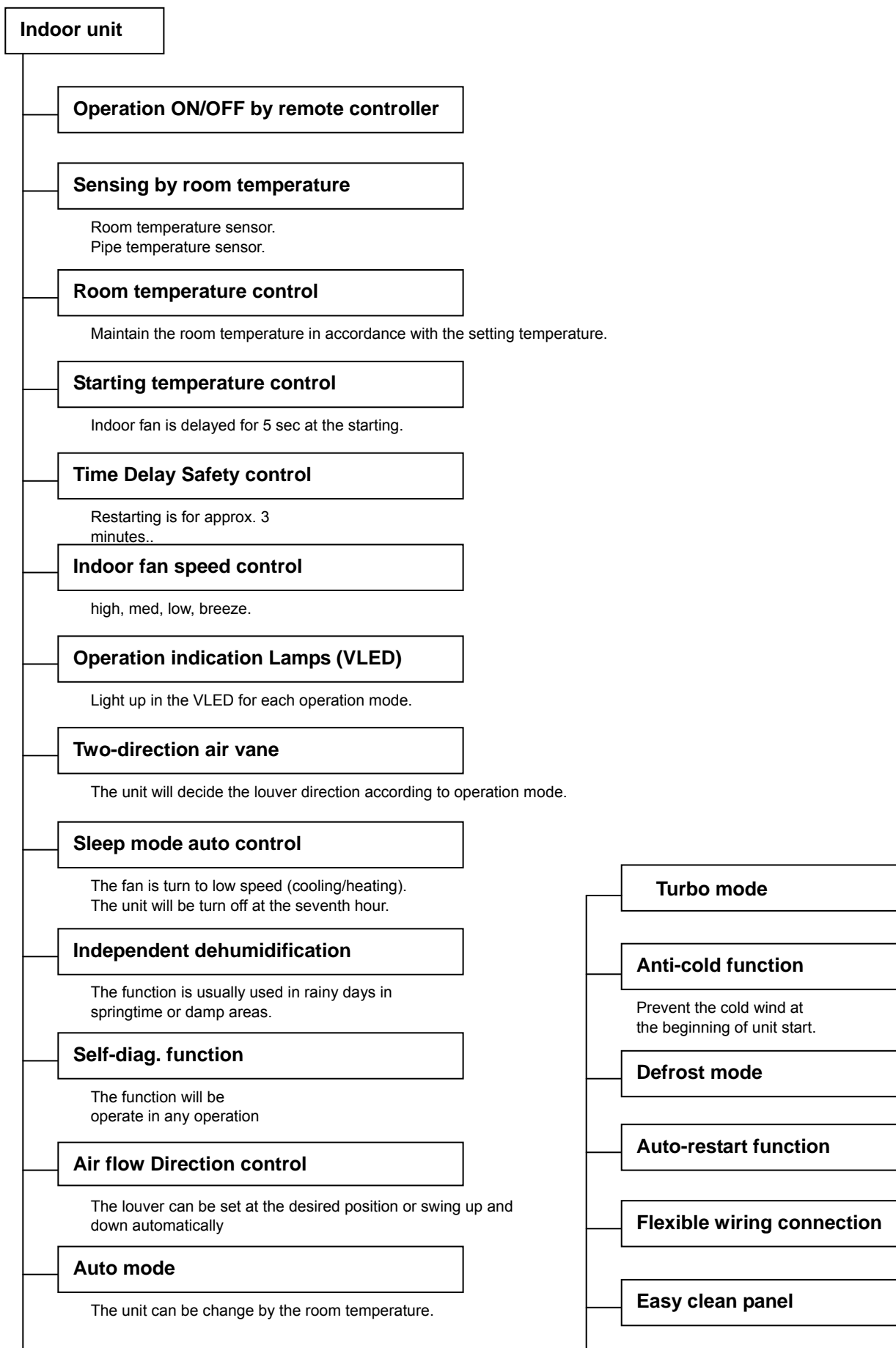
➤ CAUTION

- Always check for gas (refrigerant) leakage after installation or repair of product.
Low refrigerant levels may cause failure of product.
- Install the drain hose to ensure that water is drained away properly.
A bad connection may cause water leakage.
- Keep level even when installing the product.
To avoid vibration of water leakage.
- Do not install the product where the noise or hot air from the outdoor unit could damage the neighborhoods.
It may cause a problem for your neighbors.
- Use two or more people to lift and transport the product.
Avoid personal injury.
- Do not install the product where it will be exposed to sea wind (salt spray) directly.
It may cause corrosion on the product. Corrosion, particularly on the condenser and evaporator fins, could cause product malfunction or inefficient operation.

➤ Operational

- Do not expose the skin directly to cool air for long periods of time. (Do not sit in the draft).
This could harm to your health.
- Do not use the product for special purposes, such as preserving foods, works of art, etc. It is a consumer air conditioner, not a precision refrigerant system.
There is risk of damage or loss of property.
- Do not block the inlet or outlet of air flow.
It may cause product failure.
- Use a soft cloth to clean. Do not use harsh detergents, solvents, etc.
There is risk of fire, electric shock, or damage to the plastic parts of the product.
- Do not touch the metal parts of the product when removing the air filter. They are very sharp.
There is risk of personal injury.
- Do not step on or put anything on the product. (outdoor units)
There is risk of personal injury and failure of product.
- Always insert the filter securely. Clean the filter every two weeks or more often if necessary.
A dirty filter reduces the efficiency of the air conditioner and could cause product malfunction or damage.
- Do not insert hands or other object through air inlet or outlet while the product is operated.
There are sharp and moving parts that could cause personal injury.
- Do not drink the water drained from the product.
It is not sanitary could cause serious health issues.
- Use a firm stool or ladder when cleaning or maintaining the product.
Be careful and avoid personal injury.
- Replace the all batteries in the remote control with new ones of the same type. Do not mix old and new batteries or different types of batteries.
There is risk of fire or explosion.
- Do not recharge or disassemble the batteries. Do not dispose of batteries in a fire.
They may burn or explode.
- If the liquid from the batteries gets onto your skin or clothes, wash it well with clean water. Do not use the remote of the batteries have leaked.
The chemical in batteries could cause burns or other health hazards.

2. Function



Outdoor unit

Power relay control

The unit has 3 mins delay between continuously ON/OFF operations.

Low noise air flow system

Bird tail propeller fan makes the outdoor unit run more quietly.

Hydrophilic aluminum fin

The hydrophilic fin can improve the heating efficiency at operation mode.

4 way valve control

It is only operated in the heating operation mode except defrosting operation.

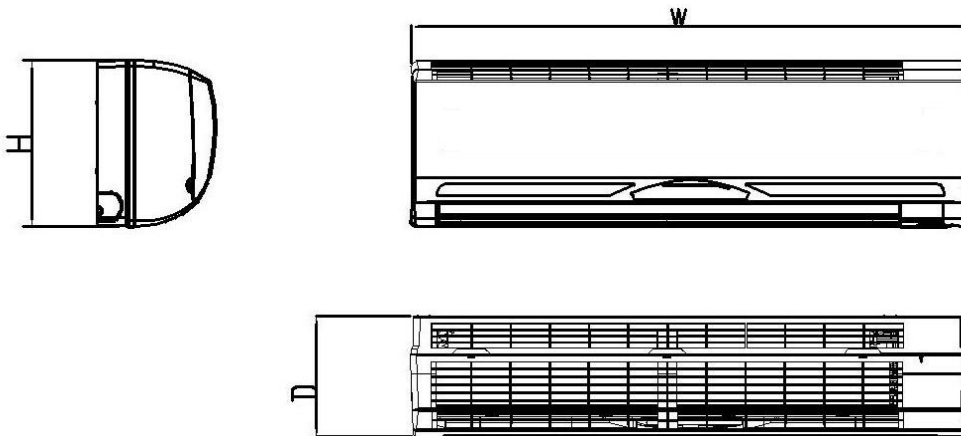
Discharge pipe temperature protect

Anti-rust cabinet

Valve protection cover

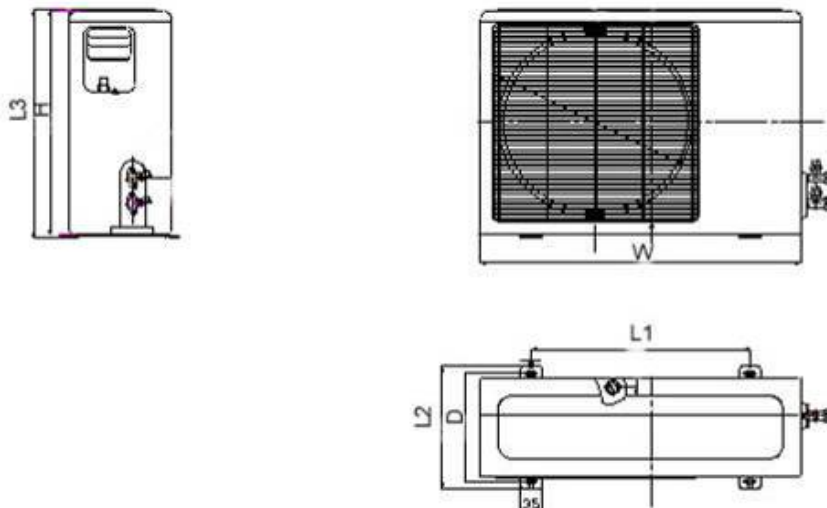
3. Dimension

3.1 Indoor unit



Dimension Mode	W	H	D
263	790	275	190
353	790	275	190
503	940	275	175

3.2 Outdoor unit

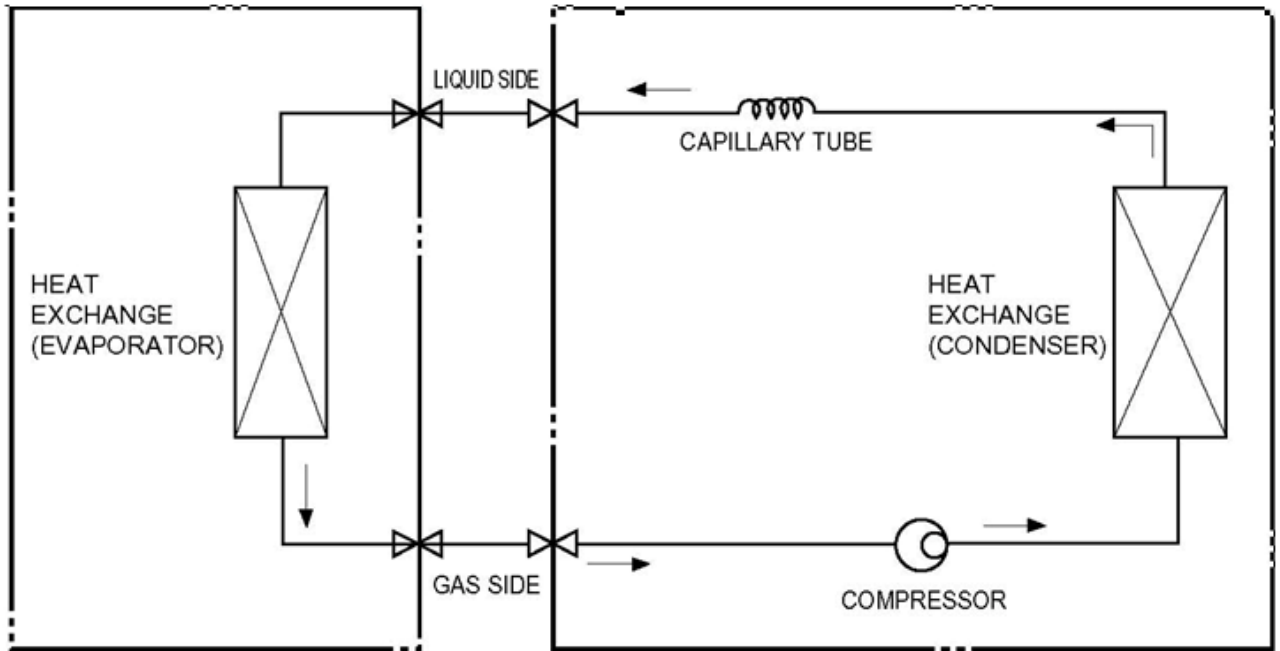


Dimension Mode	W	H	D			
263	700	535	235			
353	700	535	235			
503	760	590	285			

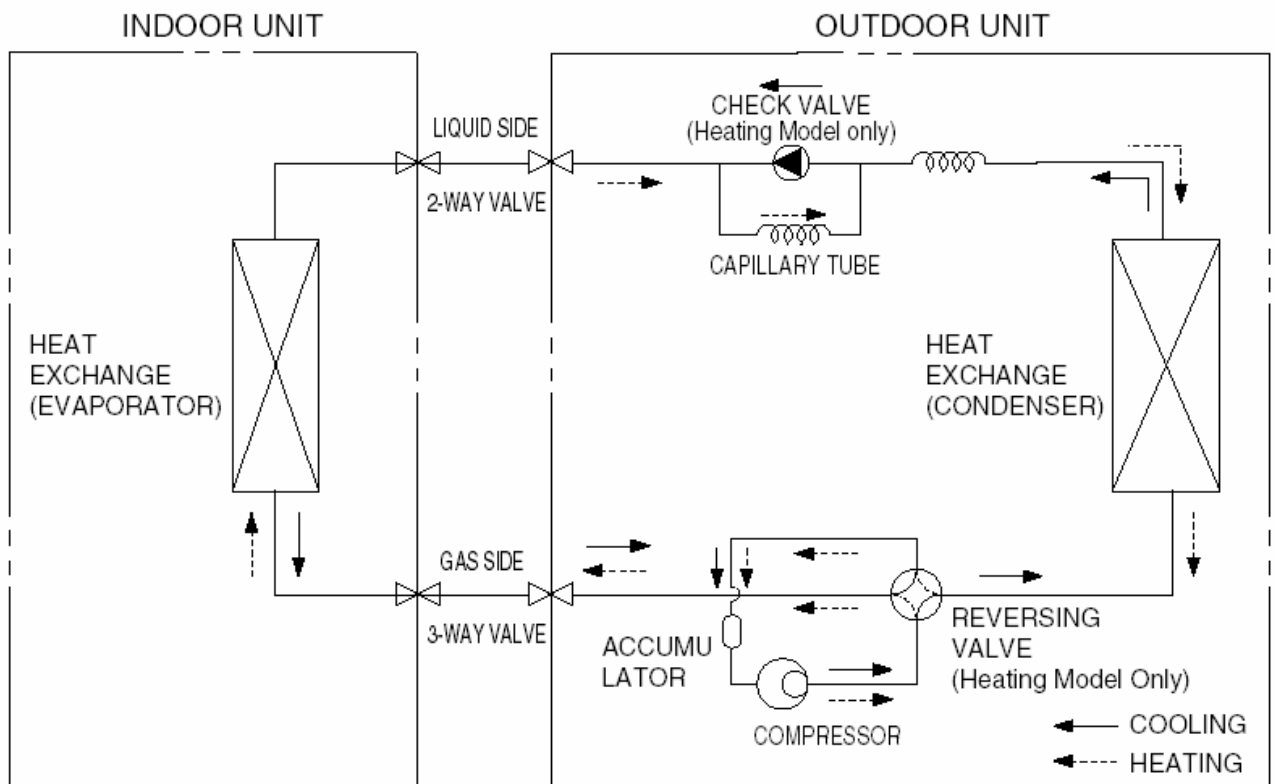
HOKKAIDO			HKEI 263 G	HKEI 353 G	HKEI 503 G
Power supply			HCNI 263 G	HCNI 353 G	HCNI 503 G
Ph-V-Hz			1, 220-240V~, 50Hz	1, 220-240V~, 50Hz	1, 220-240V~, 50Hz
Cooling	Capacity	Btu/h	9000	11000	17000
		W	2640	3220	4980
	Input	W	820	1000	1770
	Rated current	A	3,7	4,3	7,7
	EER	W/W	3,22	3,22	2,81
Heating	Capacity	Btu/h	9500	12500	19500
		W	2787	3666	5280
	Input	W	770	1010	1640
	Rated current	A	3,4	4,4	7,7
	COP	W/W	3,62	3,63	3,22
Moisture Removal		L/h	1,0	1,2	1,7
Max. input consumption		W	1100	1450	2500
Max. Current		A	5,5	7,5	11,5
Starting current		A	22	33	34,5
Compressor	Model		5PS102EAA22	44A263AJ-FJKC	PA200X2CS-4KU1
	Type		Rotary	Rotary	Rotary
	Brand		PANASONIC	RECHI	TOSHIBA
	Capacity	Btu/h	2410/2440	2590	4920/4960W
	Input	W	835/855	1090	1670/1720
	Rated current(RLA)	A	3.85/3.60	5,1	7.6/7.2
	Locked rotor Amp(LRA)	A	19/20.9	24,5	33
	Thermal protector		AD7100854/B160-150-241H	B200-150B-141E	Internal
	Capacitor	uF	30	35	45
Refrigerant oil	ml	350	270	750	
Indoor fan motor	Model		RPG20E	RPG20E	RPG25
	Brand		Changzhou	Changzhou	Welling
	Input	W	45	45	53
	Capacitor	uF	1.5uF/450V	1.5uF/450V	1.5uF/450V
	Speed(turbo/hi/mi/lo)	r/min	1260/1210/1100/1000/850	1260/1210/1100/1000/850	1220/1100/850
Indoor coil	a.Number of rows		2	2	2
	b.Tube pitch(a)x row pitch(b)	mm	21x13.37	21x13.37	21x13.37
	c.Fin spacing	mm	1,3	1,3	1,3
			Hydrophilic aluminium	Hydrophilic aluminium	Hydrophilic aluminium
	e.Tube outside dia.and type	mm	φ7 INNEGROOVE TUBE	φ7 INNEGROOVE TUBE	φ7 INNEGROOVE TUBE
	f.Coil length x height x width	mm	538X252X26.74	538X252X26.74	769x147x26.74
	g.Number of circuits		2	2	3
Drain hole pipe diameter	mm	φ 16.5	φ 16.5	φ 16.5	
Indoor air flow	m3/h	450/400/350	580/500/420	800/730/600	
Indoor noise level (Hi/Mi/Lo)	dB(A)	39/36/32	43/41/35	45/43/38	
Indoor unit	Dimension (W*H*D)	mm	790X190X275	790X190X275	940x175x275
	Packing (W*H*D)	mm	865X265X350	865X265X350	1015x265x350
	Net/Gross weight	Kg	8.5/10.5	9/11	10/13.5
Outdoor fan motor	Model		YDK24-6T	YDK24-6F	YDK36-6
	Brand		Welling	Welling	Welling
	Input	W	60	60	71
	Capacitor	uF	3	3	2.5uF/450V
	Speed	r/min	800	800	900
Outdoor coil	a.Number of rows		1	2	2
	b.Tube pitch(a)x row pitch(b)	mm	25.4x22	21x13.37	25.4x22
	c.Fin spacing	mm	1.4	1.4	1.4
	d.Fin type (code)		Hydrophilic aluminium	Hydrophilic aluminium	Hydrophilic aluminium
	e.Tube outside dia.and type	mm	φ9.53,innergroove tube	φ7,innergroove tube	φ9.53 innergroove tube
			2	2	2
	g.Number of circuits		2	2	2
Outdoor air flow	m3/h	1740	2000	1800	
Outdoor noise level	dB(A)	53	54	58	
Outdoor unit	Dimension(W*H*D)	mm	700X535X235	700X535X235	760x590x285
	Packing (W*H*D)	mm	815X580X325	815X580X325	887x655x355
	Net/Gross weight	Kg	28/30.5	28.5/32.5	42/45
Refrigerant type	g	R410A/730	R410A/840	R410A/1380g	
Design pressure	MPa	4,2	4,2	4,2	
Refrigerant piping	Liquid side/ Gas side	mm(inch)	φ6.37/φ9.53	φ6.35/φ12.7	φ6.35/φ12.7
	Max. refrigerant pipe length	m	20	20	25
	Max. difference in level	m	8	8	10
Connection wiring		No	No	No	
Plug type		16A	16A	No	
Thermostat type		Electronic Control	Electronic Control	Electronic Control	
Operation temp	°C	17-30	17-30	17-30	
Ambient temp	°C	-7-43	-7-43	-7-43	
Application area	m2	14~21	18~26	28~40	
Qty'per 20' /40' /40'HQ	set	118/250/285	118/250/285	85/180/205	

4. Refrigerant cycle diagram

➤ Cooling only



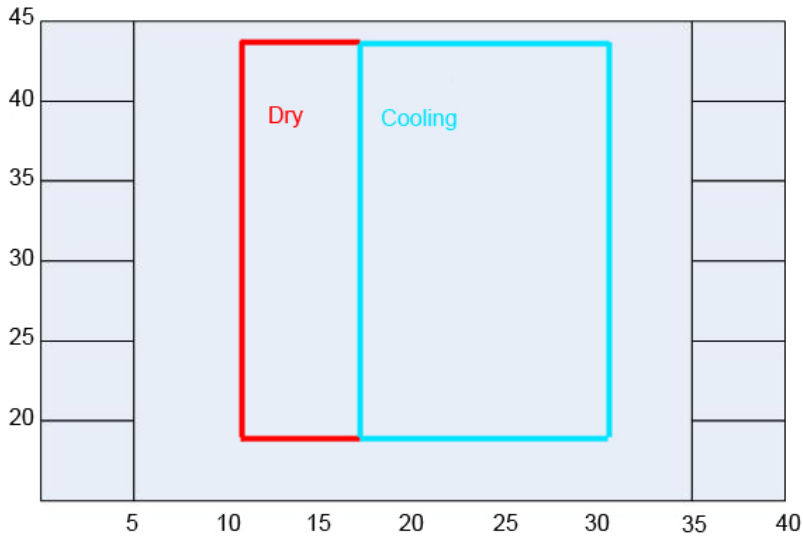
➤ Heat pump mode



5. Operation limits

5.1 Cooling operation

Outdoor unit air temp. □ DB

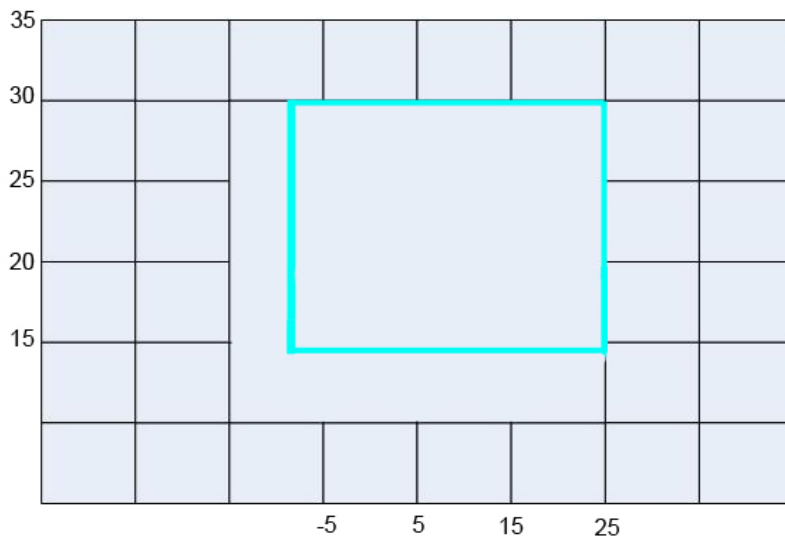


Indoor air temp. □ DB

Note: The chart is the result from the continuous operation under constant air temperature conditions. However, excludes the initial pull-down stage.

5.2 Heating operation

Indoor air temp. □ DB



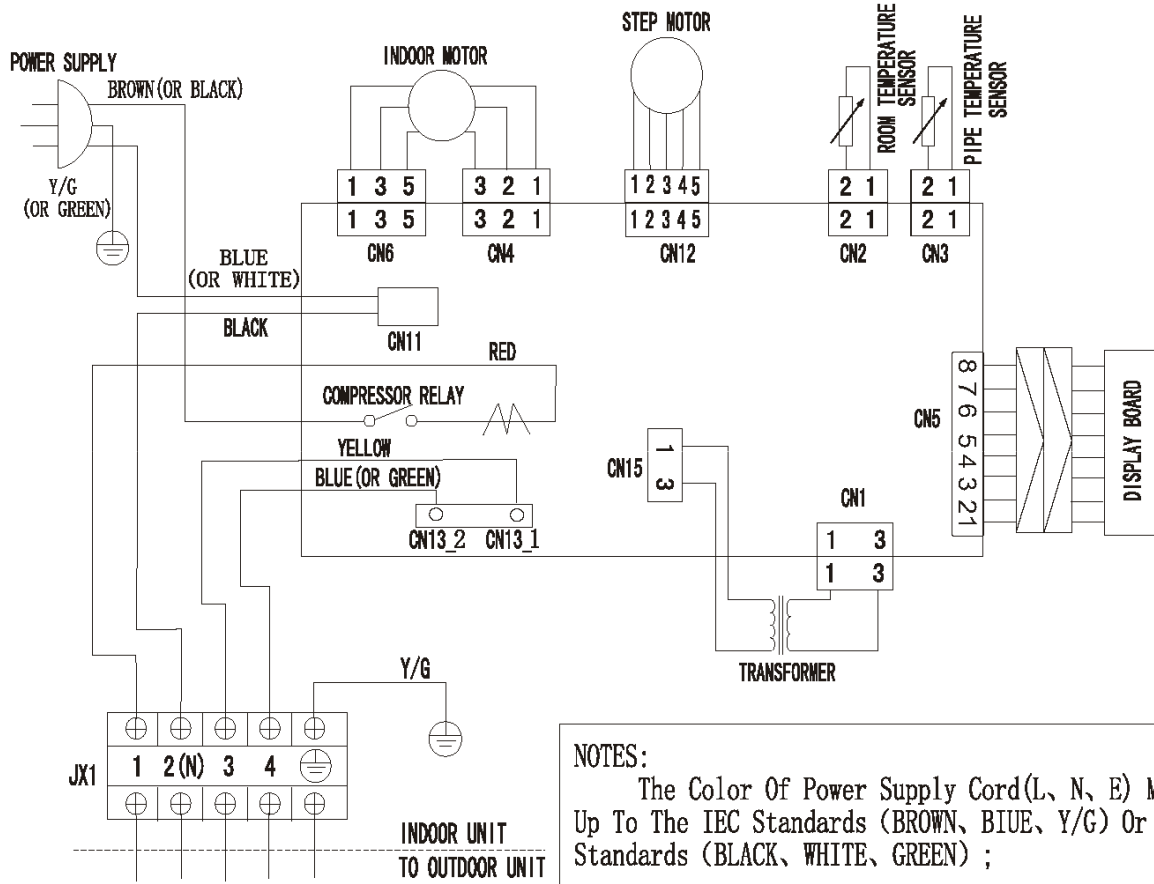
Outdoor unit air temp. □ DB

Note: The chart is the result from the continuous operation under constant air temperature conditions. However, excludes the initial pull-down stage.

6. Wiring diagram

HKEI-HCNI 263-353-503 G :

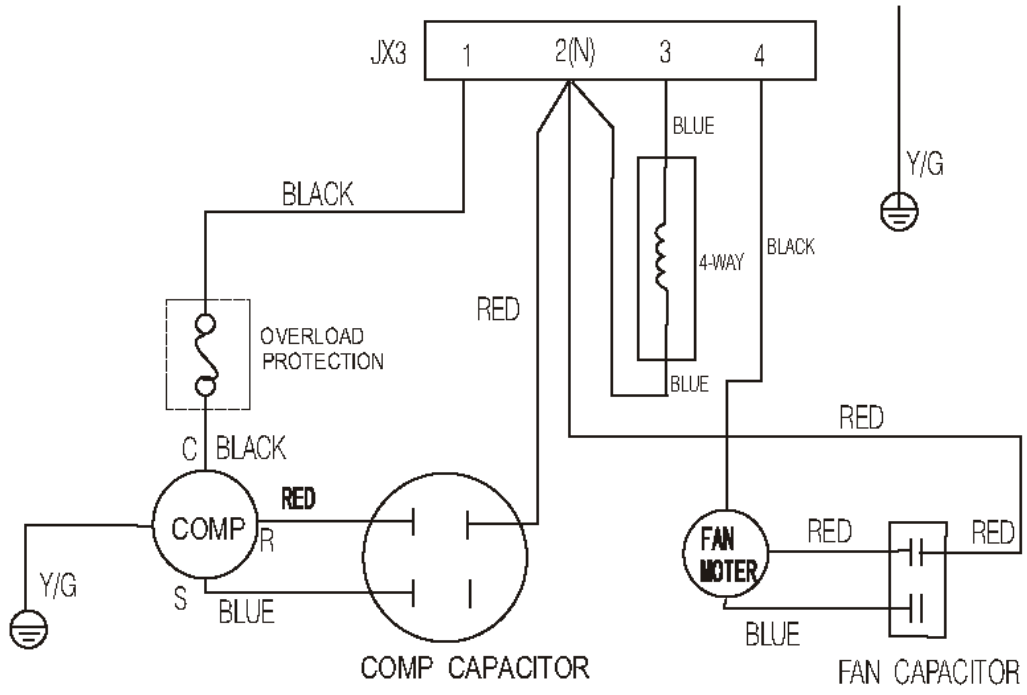
Indoor :



NOTES:

The Color Of Power Supply Cord(L, N, E) Measures Up To The IEC Standards (BROWN, BIUE, Y/G) Or The UL Standards (BLACK, WHITE, GREEN) ;

Outdoor :



7. Installation details

7.1 Wrench torque sheet for installation

Outside diameter		Torque
mm	inch	Kg.m
φ6.35	1/4	1.8
φ9.52	3/8	4.2
φ12.7	1/2	5.5

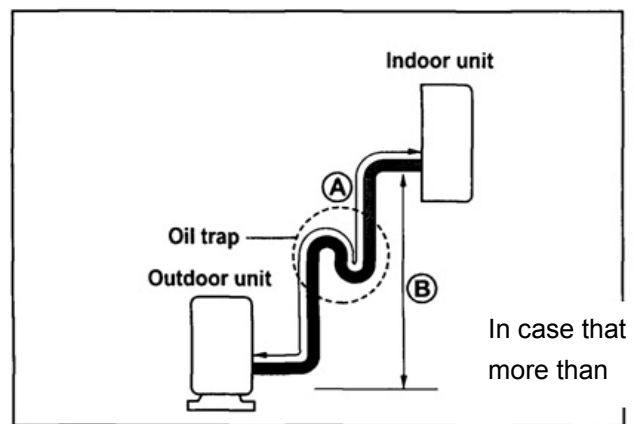
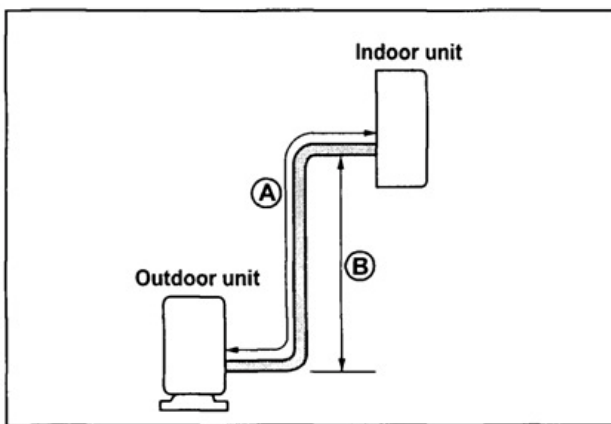
7.2 Connecting the cables

The power cord of connect should be selected according to the following specifications sheet.

	Grade			
Unit	263	353	503	
mm ²	1.0	1.5	2.5	

7.3 Pipe length and the elevation

Capacity Btu/h	Pipe size		Standard length (m)	Max. Elevation B (m)	Max. Pipe length A (m)	Additional refrigerant (g/m)
	GAS	LIQUID				
263	3/8" (φ9.52)	1/4" (φ6.35)	5	5	20	30
353-503	1/2" (φ12.7)	1/4" (φ6.35)	5	8-10	20-25	30



Caution:

Capacity is base on standard length and maximum allowance length is base of reliability.

Oil trap should be install per 5-7 meters.

7.4 Air purging of the piping and indoor unit

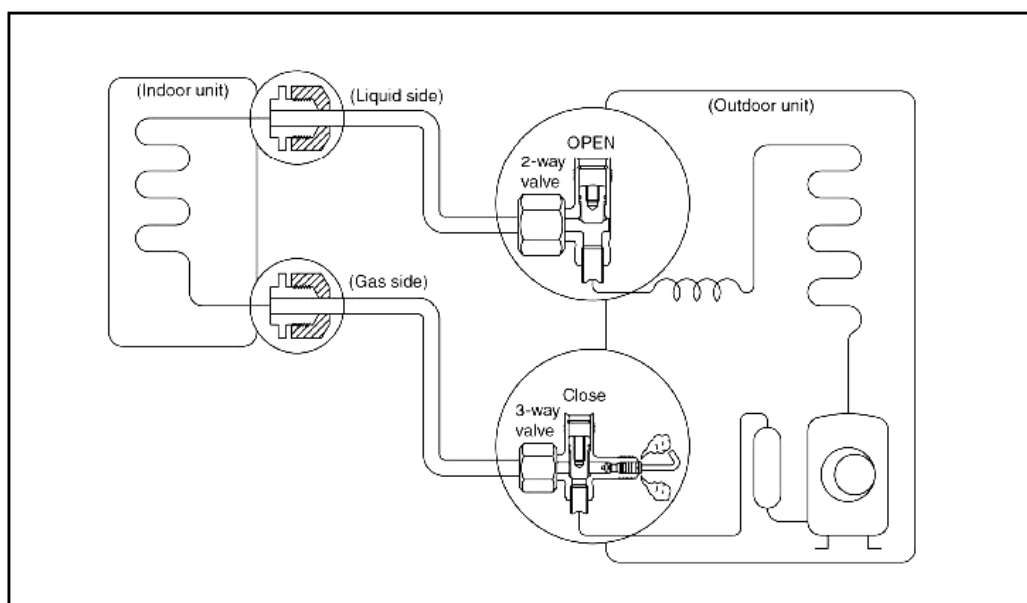
Required tools:

Hexagonal wrench; adjustable wrench; torque wrenches, wrench to hold the joints and gas leak detector.

Note:

The air in the indoor unit and in the piping must be purged. If air remains in the refrigeration piping, it will affect the compressor, reduce the cooling capacity, and could lead to a malfunction of unit.

Be sure, using a torque wrench to tighten the service port cap (after using the service port), so that it prevents the gas leakage from the refrigeration cycle.



Procedure

Recheck the piping connections.

Open the valve stem of the 2-way valve counterclockwise approximately 90°, wait 10 seconds, and then set it to closed position.

Be sure to use a hexagonal wrench to operate the valve stem

Check for gas leakage.

Check the flare connection for gas leakage

Purge the air from the system.

Set the 2-way valve to the open position and remove the cap from the 3-way valve's service port.

Using the hexagonal wrench to press the valve core pin, discharge for three seconds and then wait for one minute.

Use torque wrench to tighten the service port cap to a torque of 1.8 kg.m. (18n.m)

Set the 3-way valve to the opened position.

Mounted the valve stem nuts to the 2-way and 3-way valves.

Check for gas leakage.

At this time, especially check for gas leakage from the 2-way and 3-way stem nuts, and from the service port.

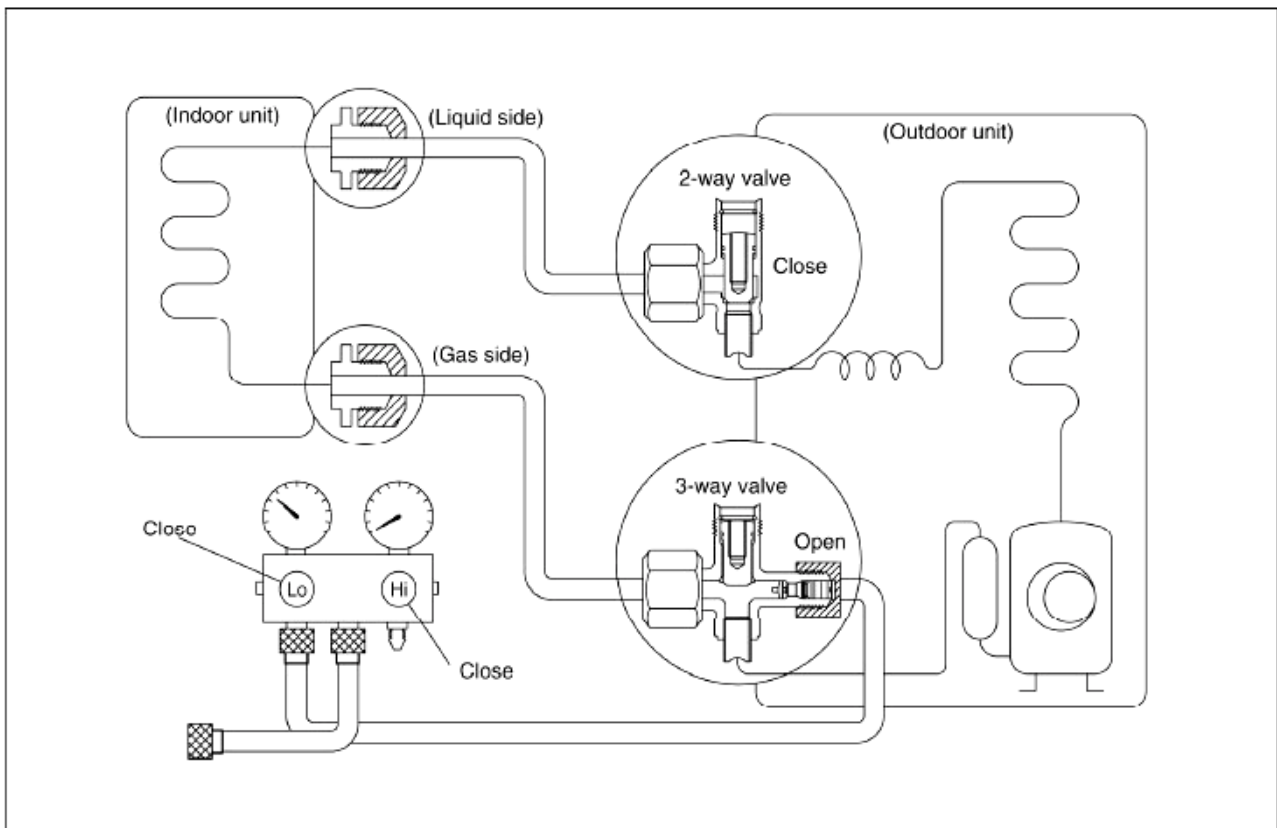
Caution:

If gas leakage is discovered in step (3) above, take the following measures.

If the leaks stop when the piping connections are tightened further, continue working from step (4).

If the gas leaks do not stop when the connections are retightened, repair the location of the leak, discharge all of the gas through the service port, and then recharge with the specified amount of gas from a gas cylinder.

7.5 Pumping down (Re-installation)



Procedure

Confirm that both the 2-way and 3-way valves are set to the opened position.

Remove the valve stem caps and confirm that the valve stems are in the opened position.

Be sure to use a hexagonal wrench to operate the valve stems.

Operate the unit for 10 to 15 minutes.

Stop operation and wait for 3 minutes, then connect the charge set to the service port of the 3-way valve.

Connect the charge hose with the push pin to the gas service port.

Air purging of the charge hose.

Open the low-pressure valve on the charge set slightly to purge air from the charge hose.

Set the 2-way valve to the close position.

Operate the air conditioner at the cooling cycle and stop it when the gauge indicates 0.1MPa.

Immediately set the 3-way valve to the closed position.

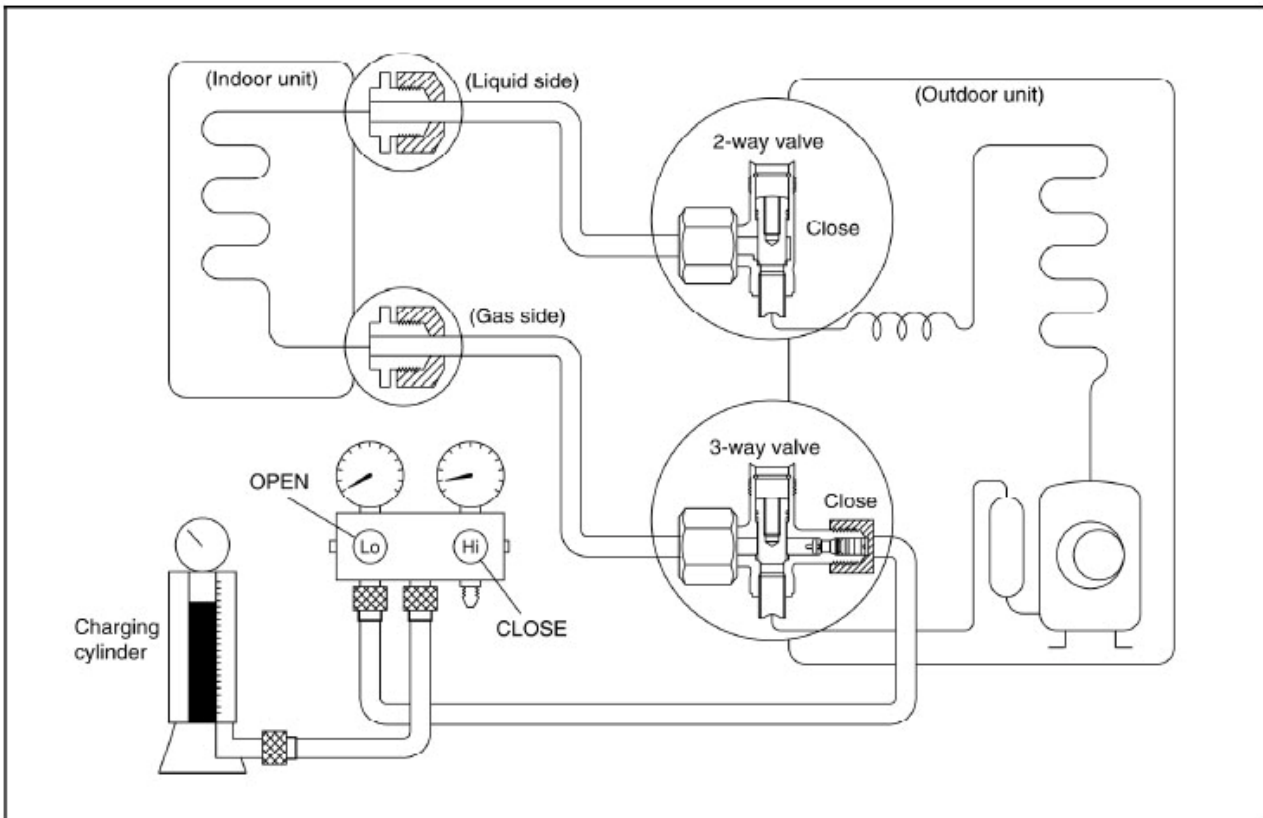
Do this quickly so that the gauge ends up indicating 0.3 to 0.5Mpa.

Disconnect the charge set, and amount the 2-way and 3-way valve's stem nuts and service port caps.

Use a torque wrench to tighten the service port cap to a torque of 1.8 kg.m.

Be sure to check for gas leakage.

7.6 Re-air purging (Re-installation)



Procedure:

Confirm that both the 2-way and 3-way valves are set to the closed position.

Connect the charge set and a charging cylinder to the service port of the 3-way valve.

Leave the valve on the charging cylinder closed.

Air purging.

Open the valves on the charging cylinder and the charge set. Purge the air by loosening the flare nut on the 2-way valve approximately 45° for 3 seconds then closing it for 1 minutes; repeat 3 times.

After purging the air, use a torque wrench to tighten the flare nut to on the 2-way valve.

Check the gas leakage.

Check the flare connections for gas leakage.

Discharge the refrigerant.

Close the valve on the charging cylinder and discharge the refrigerant until the gauge indicate 0.3 to 0.5 Mpa.

Disconnect the charge set and the charging cylinder, and set the 2-way and 3-way valves to the open position.

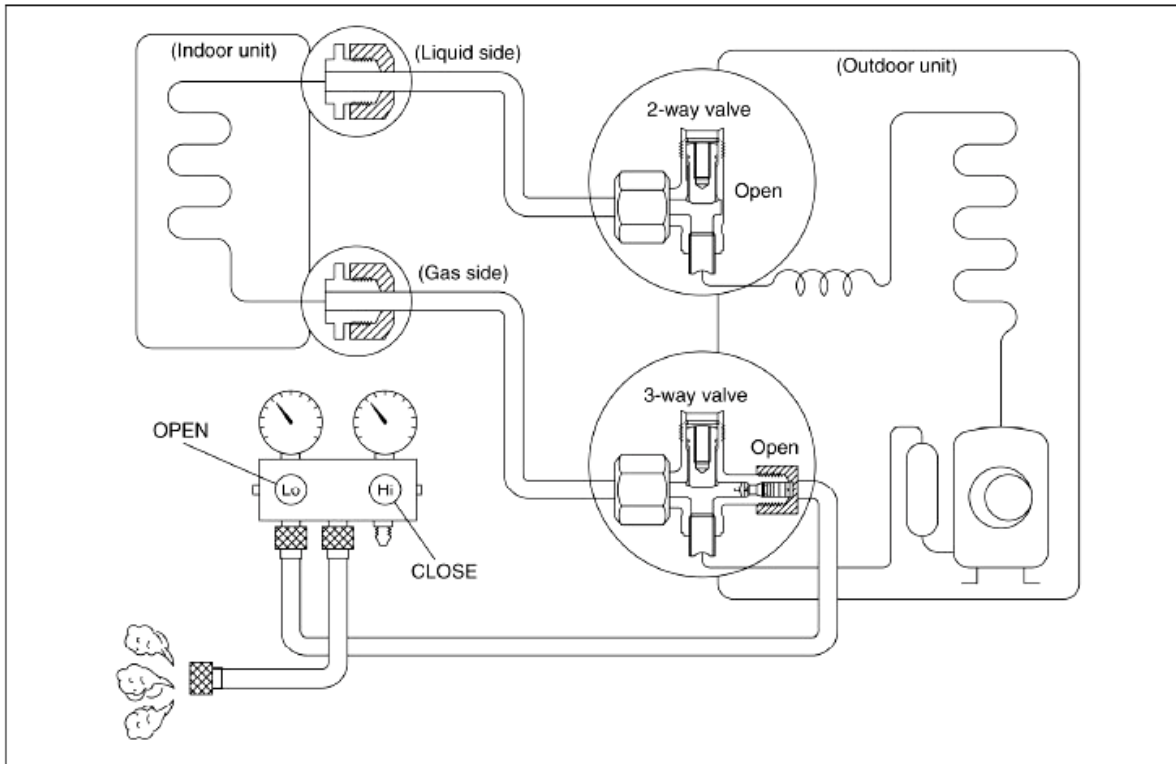
Be sure to use a hexagonal wrench to operate the valve stems.

Mount the valve stems nuts and the service port cap.

Be sure to use a torque wrench to tighten the service port cap to a torque 18N.m.

Be sure to check the gas leakage.

7.7 Balance refrigerant of the 2-way, 3-way valves



Procedure:

Confirm that both the 2-way and 3-way valves are set to the open position.

Connect the charge set to the 3-way valve's service port.

Leave the valve on the charge set closed.

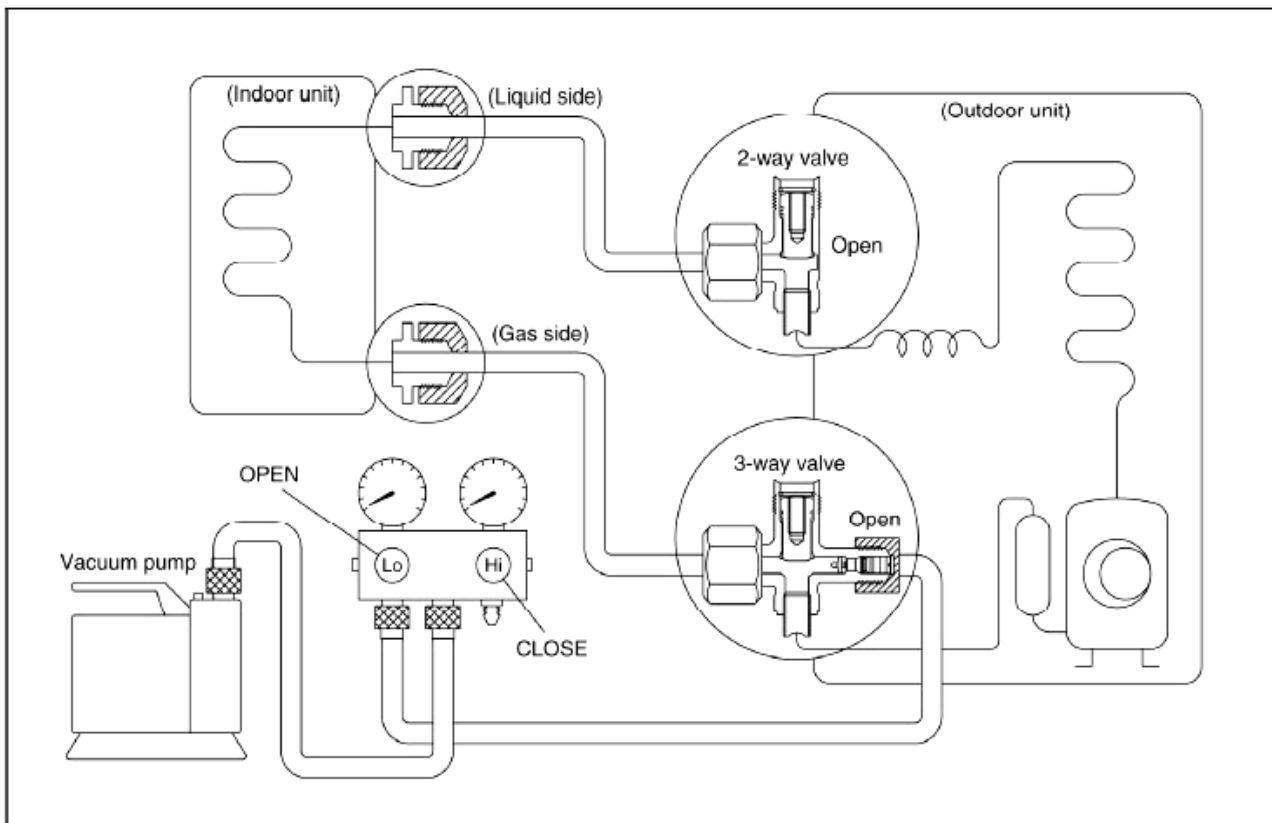
Connect the charge hose with the push pin to the service port.

Open the valves (Low side) on the charge set and discharge the refrigerant until the gauge indicates 0.05 to 0.1 Mpa.

If there is no air in the refrigeration cycle [the pressure when the air conditioner is not running is higher than 0.1Mpa, discharge the refrigerant until the gauge indicates 0.05 to 0.1 Mpa. If this is the case, it will not be necessary to apply a evacuation.

Discharge the refrigeration gradually; if it is discharged too suddenly, the refrigeration oil will be discharged.

7.8 Evacuation



Procedure:

Connect the vacuum pump to the charge set's centre hose.

Evacuation for approximately one hour.

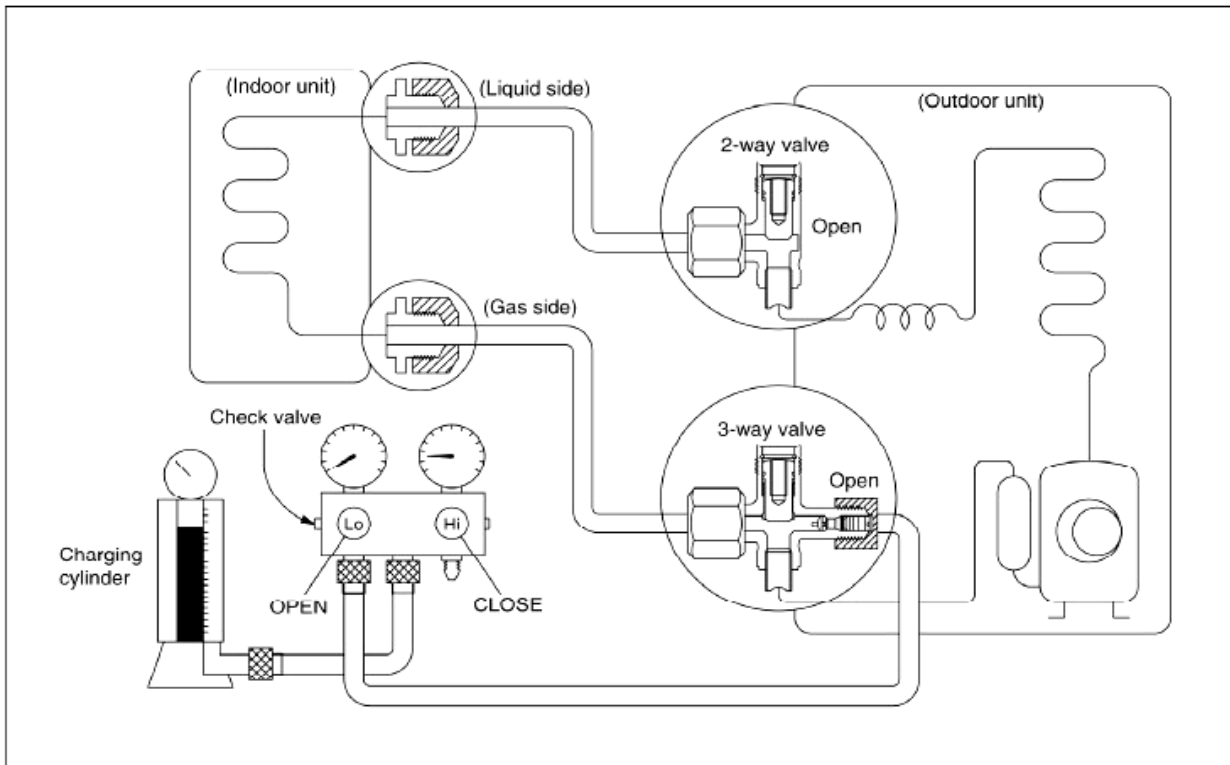
Confirm that the gauge needle has moved toward -0.1 Mpa (-76 cmHg) [vacuum of 4 mmHg or less].

Close the valve (Low side) on the charge set, turn off the vacuum pump, and confirm that the gauge needle does not move (approximately 5 minutes after turning off the vacuum pump).

Disconnect the charge hose from the vacuum pump.

Vacuum pump oil, if the vacuum pump oil becomes dirty or depleted, replenish as needed.

7.9 Gas charging



Procedure:

1. Connect the charge hose to the charging cylinder.

- Connect the charge hose which you disconnected from the vacuum pump to the valve at the bottom of the cylinder.

2. Purge the air from the charge hose.

- Open the valve at the bottom of the cylinder and press the check valve on the charge set to purge the air (be careful of the liquid refrigerant).

3. Open the valves (Low side) on the charge set and charge the system with liquid refrigerant.

- If the system cannot be charge with the specified amount of refrigerant, it can be charged with a little at a time (approximately 150g each time) while operating the air conditioner in the cooling cycle; however, one time is not sufficient, wait approximately 1 minute and then repeat the procedure. (pumping down-pin).

4. Immediately disconnect the charge hose from the 3-way valve's service port.

- Stopping partway will allow the refrigerant to be discharged.
- If the system has been charged with liquid refrigerant while operating the air conditioner, turn off the air conditioner before disconnecting the hose.

5. Mounted the valve stem caps and the service port

- Use torque wrench to tighten the service port cap to a torque of 18N.m.
- Be sure to check for gas leakage.

8. Electronic function

8.1 Proper symbols and their meaning

TA: Indoor ambient temperature

TE: Indoor evaporator temperature

TS: Setting temperature through the remote controller

I_{3sec}: Self-protection amp of compressor, continue three seconds until turns off the compressor.

I_{5MIN}: Self-protection amp of compressor, continue five minutes until turns off the compressor.

I_{FAN}: Self-protection amp of outdoor fan/indoor fans when they change from higher wind to lower wind.

I_{RESTORE}: Amp self-protection return value

TH_{DEFROST}: High wind, defrosting temperature difference

TM_{DEFROST}: Middle wind, defrosting temperature difference

TL_{DEFROST}: Low wind, defrosting temperature difference

TE1: Anti-cold wind, from Fan Off to Breeze temperature

TE2: Anti-cold wind, from Breeze to Setting Fan Speed temperature

TE3: Anti-cold wind, from Setting Fan Speed to Breeze temperature

TE4: Anti-cold wind, from Breeze to Fan Off temperature

TE5: Evaporator low temperature protection entering temperature

TE6: Evaporator low temperature protection restoring temperature

TE7: Evaporator high temperature protection, compressor off temperature

TE8: Evaporator high temperature protection, fan off temperature

TE9: Evaporator high temperature protection, restoring temperature

8.2 Function

Remote receiving

Testing and forced running

Position set for indoor unit wind vane

LED displaying and alarm

On or off Timer

Protection for the compressor

Current protection

High temperature protection of indoor heat exchanger at heating mode

Auto defrosting and heating recovery at heating mode

Anti cold air at heating mode

Anti frozen at cooling mode

8.3 Protection

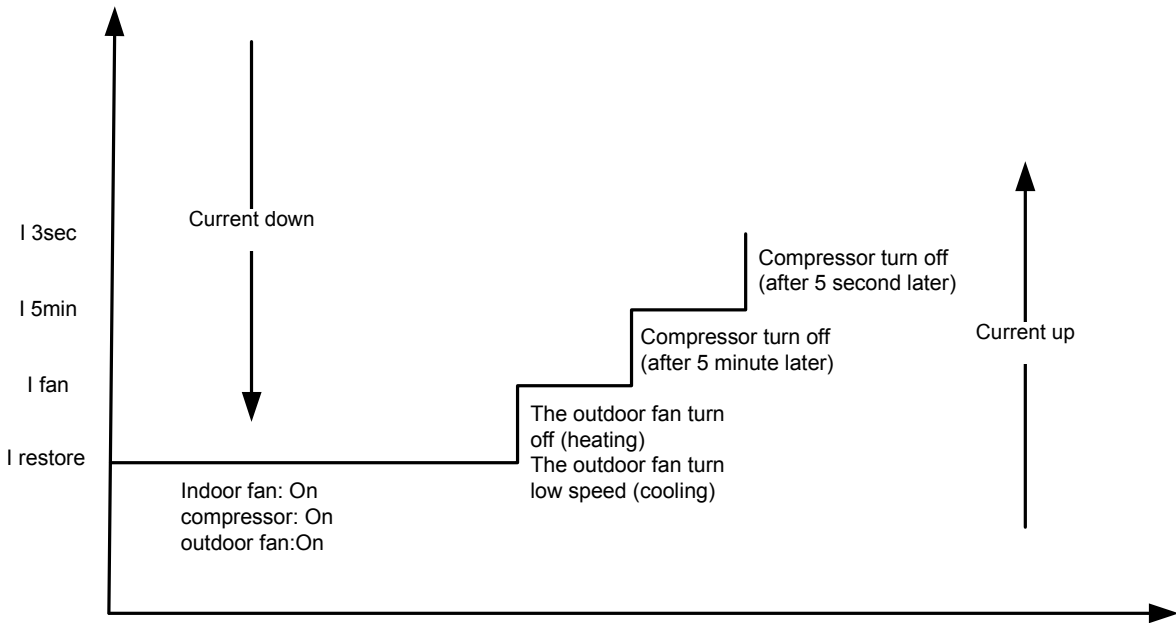
8.3.1 3 minutes delay at restart for compressor.

8.3.2 Sensor protection at open circuit and breaking disconnection

8.3.3 Fan Speed is out of control. When Indoor Fan Speed is too high(higher than 2100RPM)or too low(lower than 300RPM) lasting 50 seconds, the unit stops and LED displays failure information and can't returns to normal operation automatically.

8.3.4 Cross Zero signal error warning. If there is no Cross Zero signals in 4 minutes, the unit stops and LED displays failure information and can't returns to normal operation automatically.

8.3.5 The current protection of the compressor



If compressor turns off for continuously 4 times due to current protection in 5 minutes from Compressor On, the unit stops and LED displays failure information and can't returns to normal operation automatically.

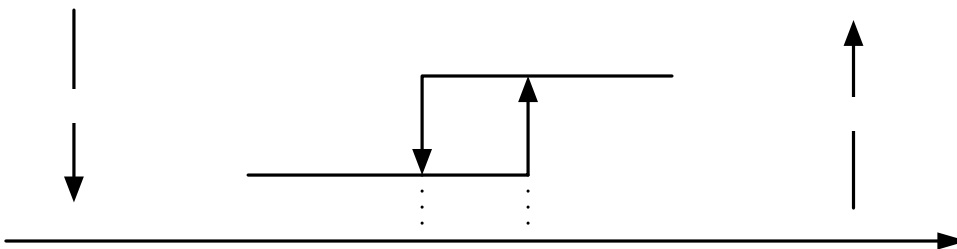
8.4 Fan-only mode

Fan speed is high/mid/low/ Auto

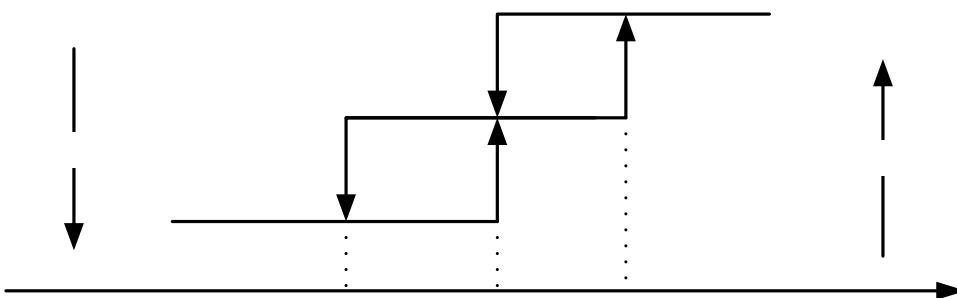
8.5 Cooling mode

The 4-way valve is closed at cooling mode.

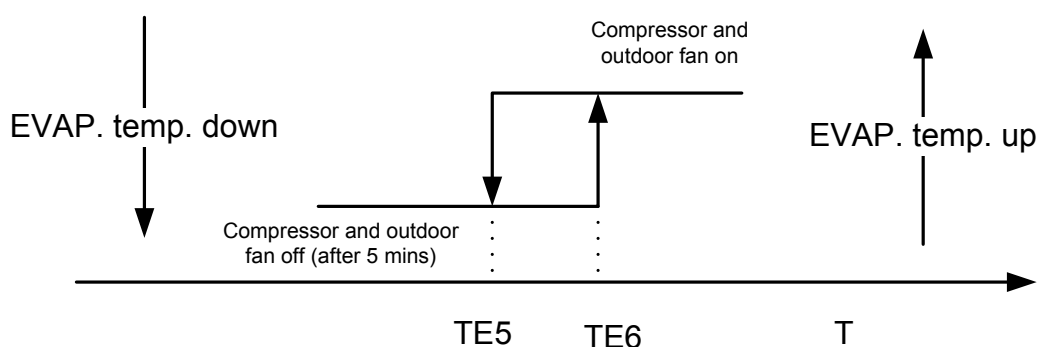
The action of the compressor and the outdoor fan:(T=indoor temperature)



Auto fan at cooling mode:



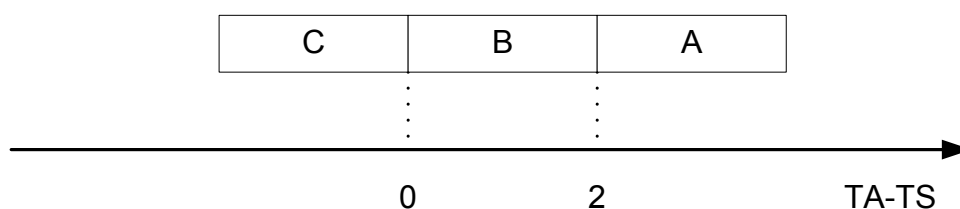
Anti-freezing control to indoor evaporator at cooling mode (T: evaporator temp.)



8.6 Dehumidifying mode

8.6.1 The 4-way valve is off in dehumidifying mode

8.6.2 Compressor and Indoor Fan actions in dehumidifying mode



Block	Indoor Fan	Compressor and Outdoor Fan
A	LOW	ON 6minutes
	BREEZE	OFF 4minutes
B	LOW	ON 5minutes
	BREEZE	OFF 5minutes
C	LOW	ON 4minutes
	BREEZE	OFF 6minutes

Repeat on and off cycle.

8.6.3 Low room temperature protection:

When room temperature decreases to below 10□, compressor and outdoor fan will stop(indoor fan is Breeze). Dehumidifying operation will be resumed when room temperature restores to over 13□.

8.6.4 At dehumidifying mode, the anti-freezing function of the indoor heat exchanger is the same as that of cooling mode.

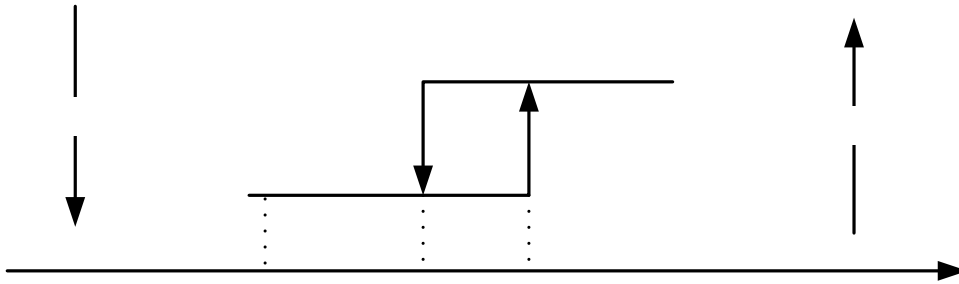
8.6.5 At dehumidifying mode, the action of fans of indoor is the same as that of air-only mode.

8.7 Heating mode

8.7.1 Generally, the 4-way valve is open in heating mode, but it is closed in defrosting mode. 4-way valve must delay 2 minutes compared with compressor if the compressor changed into non-heating mode or turned off. 4-way valve doesn't delay in dehumidifying mode

8.7.2 Generally, the outdoor fan is turned off with the on-off action of compressor in heating mode, except for the defrosting mode or the end of defrost

8.7.3 Action of compressor and outdoor fan motor at heating mode: compressor must run for 7 minutes after starting and then judge temperature. Meanwhile other protections are still valid.

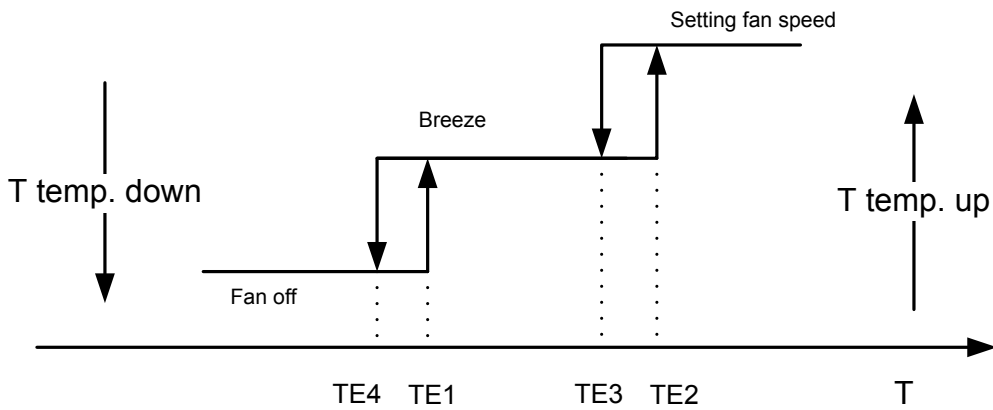


* This parameter can be changed from 0 to 3

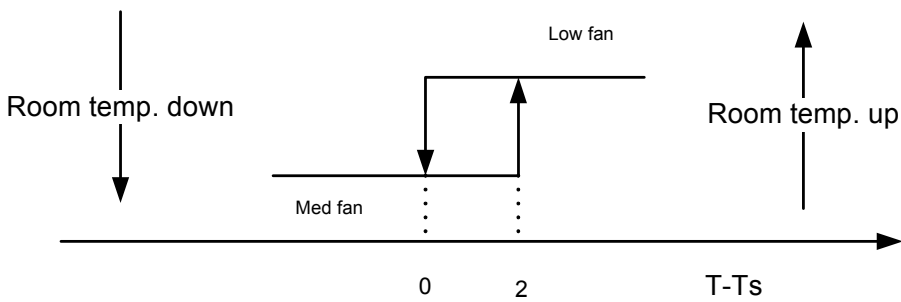
8.7.4 Indoor Fan actions at heating mode

Indoor Fan can be set at HIGH/MID/LOW/AUTO by using a remote controller, but Anti-cold wind function prevails.

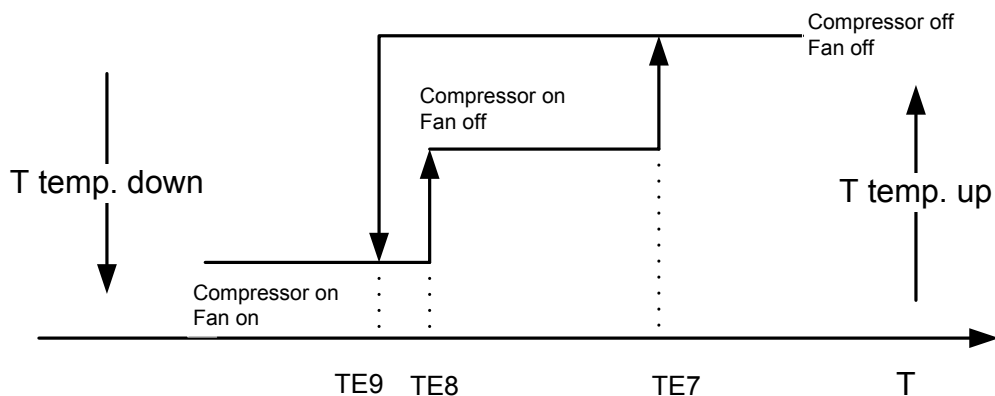
Anti-cold wind control function at heating mode (T=indoor exchanger temp.)



8.7.5 Auto wind at heating mode (T=indoor temp.)



8.7.6 Indoor evaporator high-temperature protection at heating mode (T=indoor exchanger temp.)



8.7.7 The louver opens to Standard Angle ANGLHEAT when power is on for the first time

8.8 Defrosting mode (available for heating mode)

8.8.1 Defrosting condition: Defrosting starts when either of the following □&□:

□ A and B are satisfied:

A: The compressor keeps running for 40 minutes or more.

B: The temperature difference of evaporator and room temperature meets one of the following:

□ Calculate from the end of latest defrost, evaporator high temp. Protection only closes outdoor fan with the compressor still running. Add up to 90 minutes.

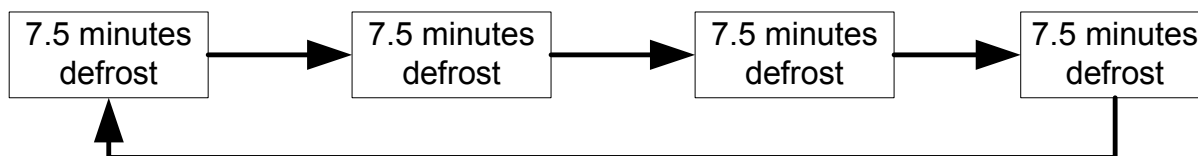
8.8.2 Defrosting time

At condition □, If item B is satisfied before item A, it would be regarded as severe frosting and the defrosting time is 10 minutes. If item B is satisfied after item A, the defrosting time is 7.5minutes.

At condition □, the defrosting time is 10 minutes.

After three times continuous 7.5-minute defrost, the fourth defrost time should be 10 minutes.

The circulation is as following:



8.8.3 Ending condition of defrosting

If one of following conditions is satisfied, end the defrost and turn into heating mode:

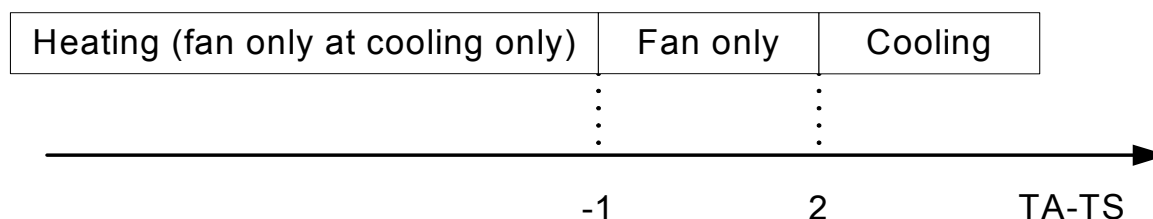
A. The defrost time has reached to 7.5 or 10 minutes.

B. The compressor current has reached to $I_{DEFROST}$ or above, $I_{DEFROST}$ differs in different models

8.8.4 Defrosting Actions

8.9 Auto mode

8.9.1 The air conditioner automatically selects one of the following operation modes: cooling, heating or fan only according to the temperature difference between room temperature (TA) and set temperature (TS).



8.9.2 The indoor fan blows automatically in corresponding selected mode

8.9.3 The motion of indoor fan's blade should accord with the selected operation mode

8.9.4 One mode should be carried out for at least 15 minutes once selected. If the compressor cannot start for 15 minutes, reselect the operation mode according to the room temp. and set temp., or reselect when the set temp. varies

8.10 Force cooling function

8.10.1 Select forced cooling function with the forced cooling button or the switch

8.10.2 The compressor is unconditionally turned on, after 30 minutes cooling operation whose fan mode is set as low, the A/C operates at the DRY mode with a set temp. of 24°

8.10.3 All protections of remote control cooling are available at forced cooling operation

8.10.4 Forced Auto function

Select forced auto function with the forced auto button or the switch.

In forced auto status the A/C operates at remote control mode with a set temp. of 24°

8.11 Sleep mode

8.11.1 The sleep function is available at cooling, heating or auto mode

8.11.2 Cooling:

The set temperature rise 1° per hour. Two hours later, the set temperature will maintain as a constant and the fan speed is kept at low speed.

The total time is 7 hours, after 7 hours the unit stops

8.11.3 Heating:

The set temperature decrease 1° per hour. Two hours later, the set temperature will maintain as a constant and the air circulation is kept at low speed (Anti-cold function takes precedence over all).

The total time is 7 hours, after 7 hours the unit stops

8.11.4 Auto:

After an hour running under economic mode, the set temp will rise 1°, if it is under cooling mode; the set temp will decrease 1°, if it is under heating mode; the set temp will be changeless, if it is under fan-only mode; the condition will be the same after the air conditioner running under economic mode after 2 hours, and during the next time the set temp do not change. The total time is 7 hours, after 7 hours the unit stops.

8.12 Auto restart function

In case of a sudden power failure, this function automatically sets the unit to previous settings before the power failure when power returns

8.13 Turbo mode

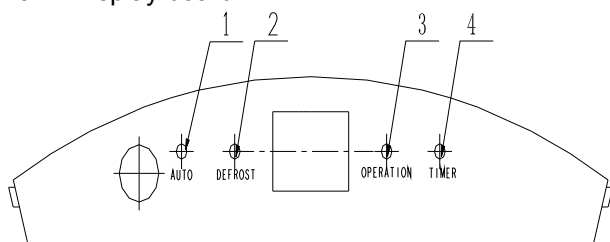
In cooling mode, when pressing the turbo button on the remote controller, the unit will enter turbo mode with ultra-high speed and reach the set temperature more quickly. After running 20 minutes in turbo mode, the indoor fan will automatically recover the preset speed.

9. Model and Parameters

Model	HKEI-HCNI263G	HKEI-HCNI353G	HKEI-HCNI503G
I3SEC	10.0A	12.0A	16.0A
I5MIN	7.5A	8.5A	15.0A
IFAN	5.5A	7.5A	11.5A
IRESTORE	4.5A	6.5A	9.5A
IDEFROST	3.5A	5.0A	7.5A
TE1	28°	34°	34°
TE2	32°	37°	36°
TE3	30°	33°	30°
TE4	26°	22°	20°
TE5	4°	4°	3°
TE6	10°	10°	14°
TE7	60°	63	60°
TE8	53°	53°	52°
TE9	50°	52°	50°
ANGLCOOL	88	88	88
ANGLHEAT	125	125	125
ANGLOFF	0°	0°	0°
THDEFROST	17°	18°	17°
TMDEFROST	18°	19°	18°
TLDEFROST	19°	20°	19°

10. Troubleshooting

10.1 Display board



▪ Operation

The indicator flashes once every second after power is on and illuminates when the air conditioner is in operation.

▪ Timer indicator:

The indicator illuminates then TIMER is set ON.

▪ PRE-DEF. indicator (For cooling & heating mode only)

The air conditioner starts defrosting automatically if outdoor unit frosts in heating operating.

At this time, PRE-DEF. indicator illuminates.

▪ Auto indicator:

This indicator flashes when the air conditioner is in AUTO operation.

▪ ECON indicator

This indicator illuminates while the air conditioner is in economic operation.

10.2 Troubleshooting

For cooling mode:

Failure phenomenon	Operation lamp	Timer lamp
Indoor fan speed has been out of control for over 1 minute	☆	X
Indoor room temp. or evaporator sensor is open circuit or short circuit	☆	On
Over current protection of the compressor occurs 4 times	X	☆
EEROM error	On	☆
No over-zero signal	☆	☆

✕ Extinguish

☆ Flash at 5Hz

For heat pump mode:

Failure phenomenon	Operation lamp	Timer lamp	Defrosting lamp
Over current protection of the compressor occurs 4 times	☆	X	☆
Indoor fan speed has been out of control for over 1 minute	X	☆	☆
No over-zero signal	☆	☆	☆
Temp. sensor on indoor evaporator is open circuit or short circuit	X	X	☆
Indoor room temp. sensor is open circuit or short circuit	X	☆	X
EEROM error	On	☆	X

✕ Extinguish

☆ Flash at 5Hz

11. Characteristic of temperature sensor

Temp.□	Resistance KΩ	Temp.□	Resistance KΩ	Temp.□	Resistance KΩ
-10	62.2756	17	14.6181	44	4.3874
-9	58.7079	18	13.918	45	4.2126
-8	56.3694	19	13.2631	46	4.0459
-7	52.2438	20	12.6431	47	3.8867
-6	49.3161	21	12.0561	48	3.7348
-5	46.5725	22	11.5	49	3.5896
-4	44	23	10.9731	50	3.451
-3	41.5878	24	10.4736	51	3.3185
-2	39.8239	25	10	52	3.1918
-1	37.1988	26	9.5507	53	3.0707
0	35.2024	27	9.1245	54	2.959
1	33.3269	28	8.7198	55	2.8442
2	31.5635	29	8.3357	56	2.7382
3	29.9058	30	7.9708	57	2.6368
4	28.3459	31	7.6241	58	2.5397
5	26.8778	32	7.2946	59	2.4468
6	25.4954	33	6.9814	60	2.3577
7	24.1932	34	6.6835	61	2.2725
8	22.5662	35	6.4002	62	2.1907
9	21.8094	36	6.1306	63	2.1124
10	20.7184	37	5.8736	64	2.0373
11	19.6891	38	5.6296	65	1.9653
12	18.7177	39	5.3969	66	1.8963
13	17.8005	40	5.1752	67	1.830
14	16.9341	41	4.9639	68	1.7665
15	16.1156	42	4.7625	69	1.7055
16	15.3418	43	4.5705	70	1.6469